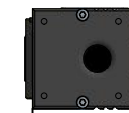
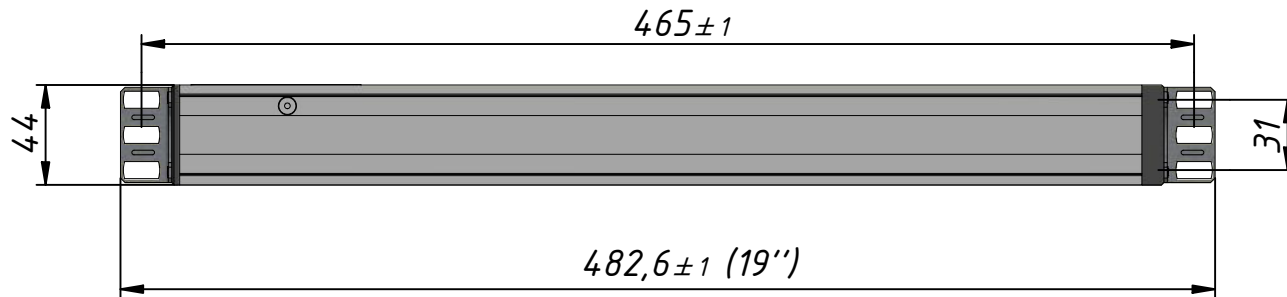
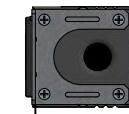


Bracket can be rotated by 90°  
(use corresponding holes)



Mounting bracket Set flat  
03.5560

48,5±1

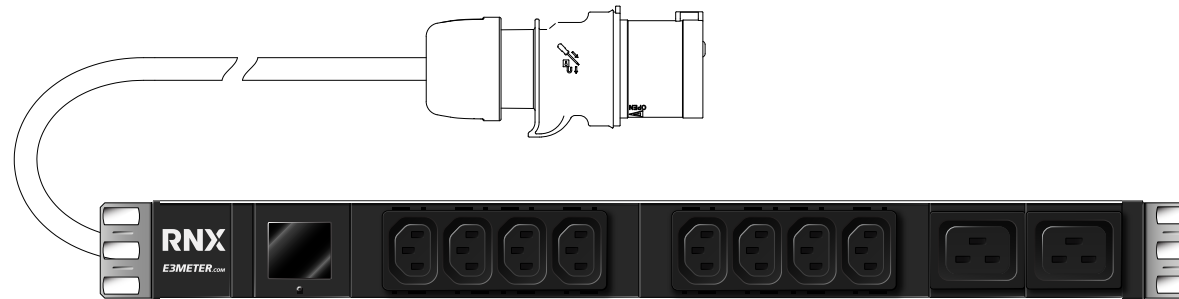
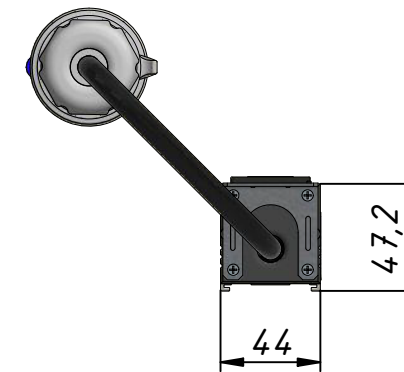
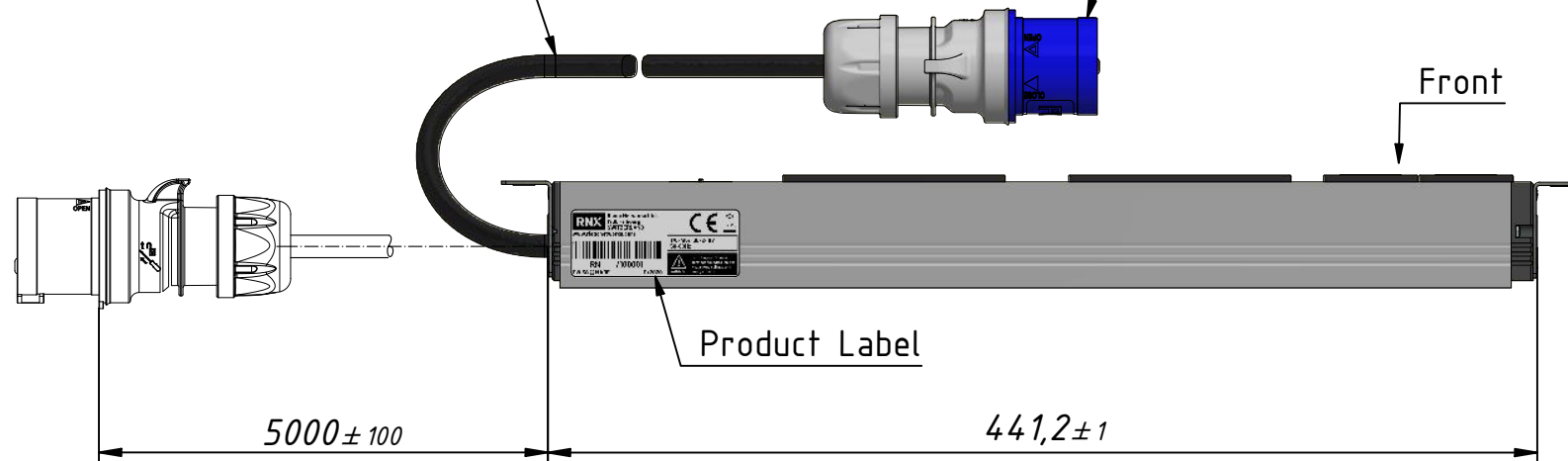


Mounting bracket Set 19"  
1HU M03.551-3F

46,1±1

H05VV-F 3G2.5mm<sup>2</sup>, black

Plug CEE 16/3 6h



Disclaimer: Dimensions and illustrative drawings are accurate to the company's knowledge at the time of printing, however specifications are subject to change without notice.

**RNX** RIEDO NETWORKS

Passage du Cardinal 5, 1700 Fribourg, Switzerland  
www.rnx.ch, +41 26 505 50 00

Drawing: 100-1085

Revision: 2

Scale: 0.3

02.07.2024

Page 1 of 1

E3METER 19" Basic PDU 1x16A 8C13 2C19

RN1104